

FIBRE OPTIC DOME ENCLOSURE

The DOME24-144S/XX is used to house the distribution cable and is widely applied in communication, network systems and cable TV. The product features a robust polypropylene shell that provides anti-corrosion, flame retardant, waterproof, anti-vibration and anti-shock properties. The product houses up to 6 pieces splice trays, hinged for access of any splice without disturbing others trays. Fast and reliable sealing is made possible using the clamp provided. With an IP68 rating and lightning protection grounding device, it can be used for aerial, wall mounting or direct burial applications.



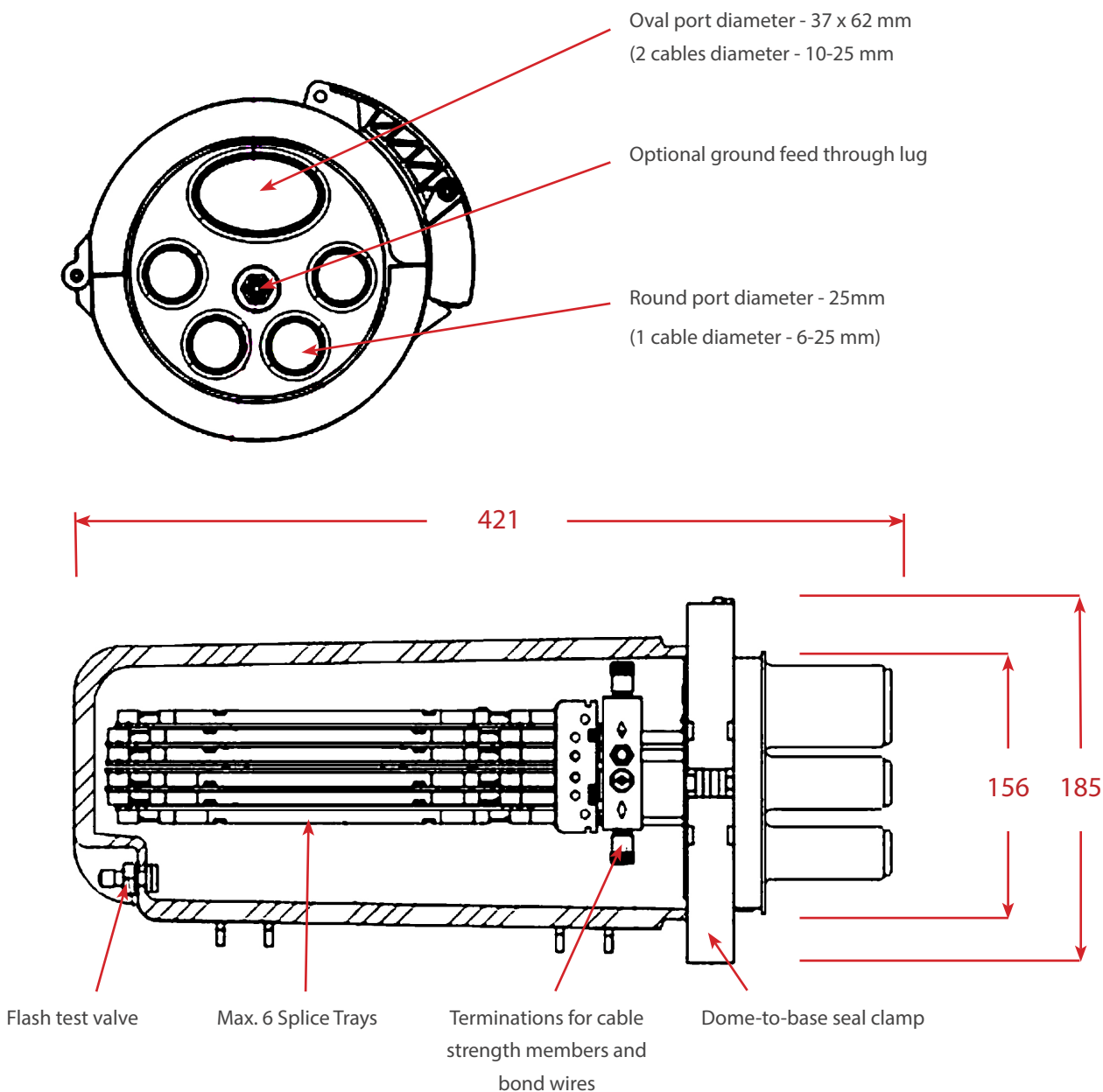
TECHNICAL SPECIFICATIONS

Dimensions (mm)	185 x 421	
Net Weight	2.3kg	
Diameter of Cable (mm)	ø 7~ø 22	
No. of Cable Inlet/Outlet	5	
Number of Fibres per Tray	24	
Max. Number of Trays	6	
Max. Number of Fibres	144	
Sealing of Inlet/Outlet Ports	Heat-shrinkable tube	
Sealing of Shells	Silicon rubber	
Materials	Dome/Clamp/Base	Modified PP
	Trays	ABS
	Metal	Stainless Steel
IP Rating	68	
Applications	Aerial, direct burial, wall/pole mounting	

PART NUMBERS:

SE-IP68-DOME-144-24
 SE-IP68-DOME-144-48
 SE-IP68-DOME-144-72
 SE-IP68-DOME-144-96
 SE-IP68-DOME-144-144

OUTER STRUCTURE



TECHNICAL PARAMETERS

Working Temperature (°C)	-40 ~ +65
Atmospheric Pressure (Kpa)	62 ~ 106
Axial Tension (N/1min)	1000
Crush Resistance (N/100mm)	2000
Insulation Resistance (MΩ)	>2*10 ⁴
Voltage Strength (KV (DC)/1min)	15
Durability (Years)	25

SCOPE OF SUPPLY

ITEM	QUANTITY	
Dome	1	
Clamp	1	
Base	1	
Cable Strengthen member attach plate	1	
Tray	Max. 6	
Valve	1	
Modified O-Ring	1	
Velcro Strip	1	
Splice Protectors	144	
Nylon Tie	12 (pcs/bag)	
Ground Feed Through Lug	1	
Transparent PE Tube	8 (pcs/bag)	
Wall Mounting Kits	Standard	
Aerial Mounting Kits	Optional	
Pole Mounting Kits	Optional	
Round Port Accessories Bag	Heat Shrink tube	4
	Abrasive Tape	1
	Aluminium Foil	4
Oval Port Accessories Bag	Heat Shrink Tube	1
	Abrasive Tape	1
	Aluminium Foil	2
	Cleaning Tissue	1
	Desiccant	1
	Shield continuity wire	1
	AMP Clamp	1
	Branch off Clip	1